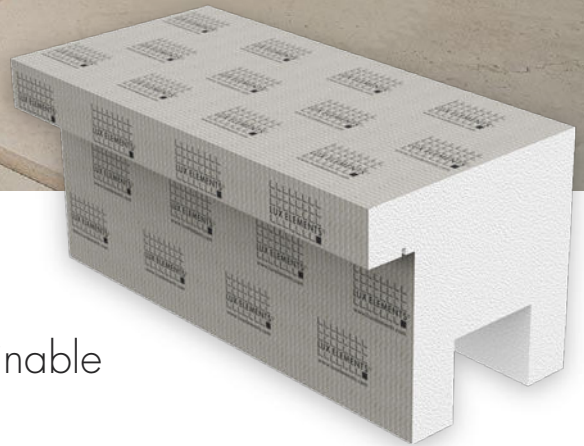


Systems for wellness – bench seats **LUX ELEMENTS®-CONCEPT-BA ...**



- **Various standard designs**
with and without backrest, freely combinable
- **Optional extensions**
e.g. corner solutions, end modules, armrests
- **Individual shapes**
as 'PLUS' custom-made
- **On request: technical solutions**
LED lighting, different heating systems



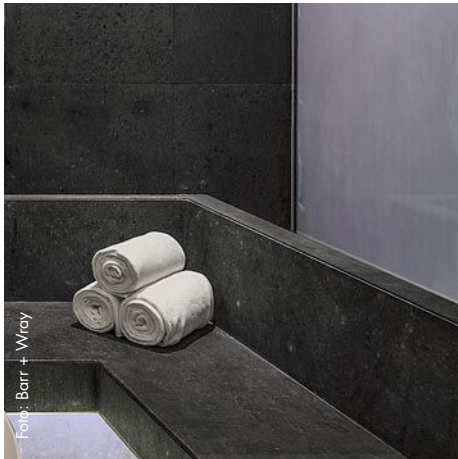


Bench seats

Comfortable seats are indispensable in wellness rooms. LUX ELEMENTS will supply you with seats and benches to match every room or area, even if it is full of nooks and crannies or round.

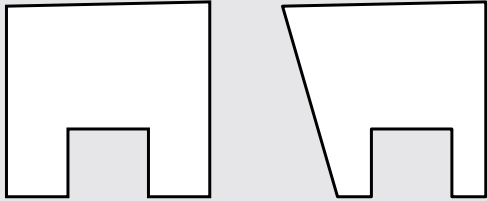
There is a choice of **different standard seat shapes** with optional rounding and end modules as well as armrests. Alternatively, **individually planned seats and benches** can also be manufactured. All the products can be fitted with lighting and/or heating systems on request.

SYSTEMS FOR WELLNESS – BENCH SEATS
CONCEPT-BA

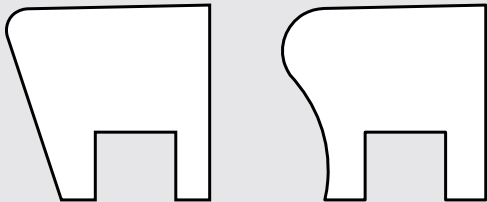


Bench seats without backrest

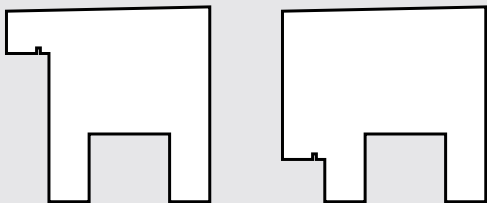
CONCEPT-BA S



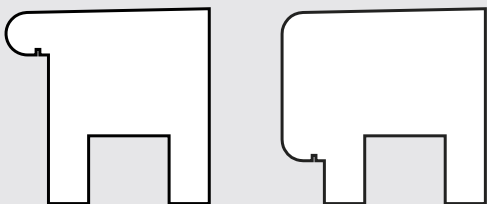
S1 + S2 – Design variant: **straight**
without milling for light rope ADD-LI L



S3 + S4 – Design variant: **rounded**
without milling for light rope ADD-LI L



S5 + S6 – Design variant: **straight**
with milling for light rope ADD-LI L

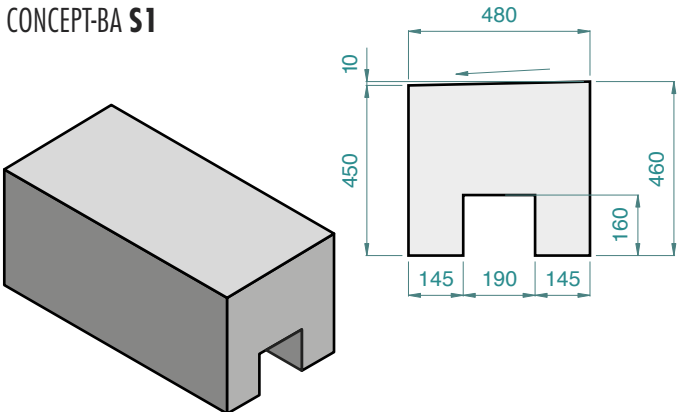


S7 + S8 – Design variant: **rounded**
with milling for light rope ADD-LI L

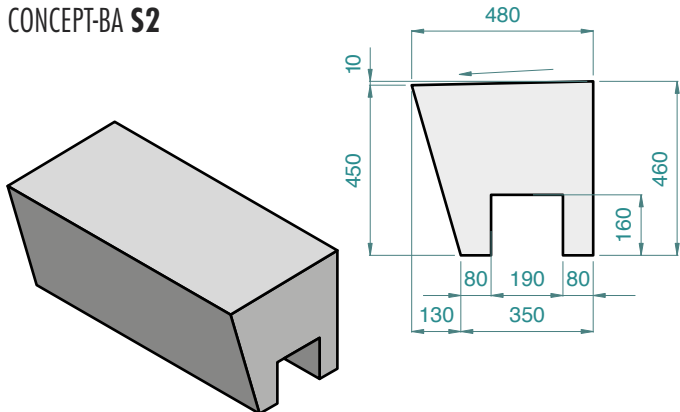
- 4 design variants –
straight and rounded, with and without milling
for light rope ADD-LI L
→ Page 14
- Seat with slight slope
- Made of solid material
- Integrated assembly channel
- Freely combinable with all CONCEPT-BA L backrests
→ Page 6
- Optional extensions –
e.g. corner solution as mitre or rounding,
seat end as rounded element,
closed seat end or armrest
→ Page 8
- Factory-installed seat heating (optional) –
- 2 alternative systems
- Thermostatic controllers, different versions
→ Page 15

Design variants
CONCEPT-BA S

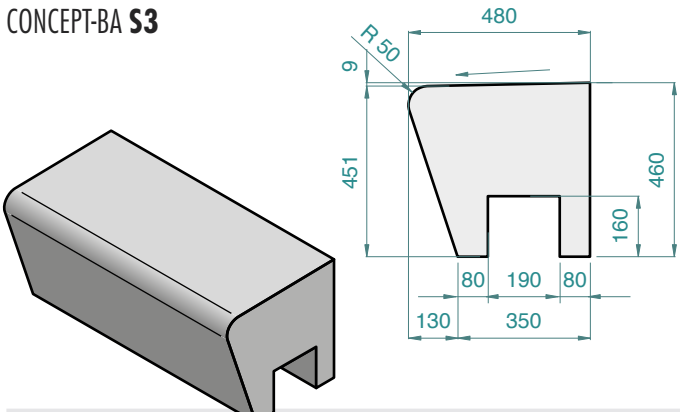
CONCEPT-BA S1



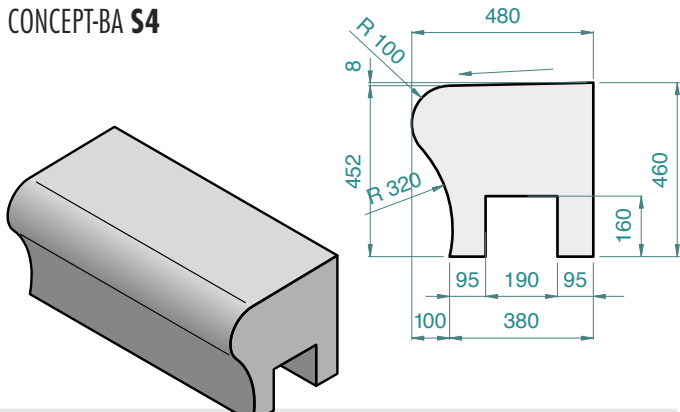
CONCEPT-BA S2



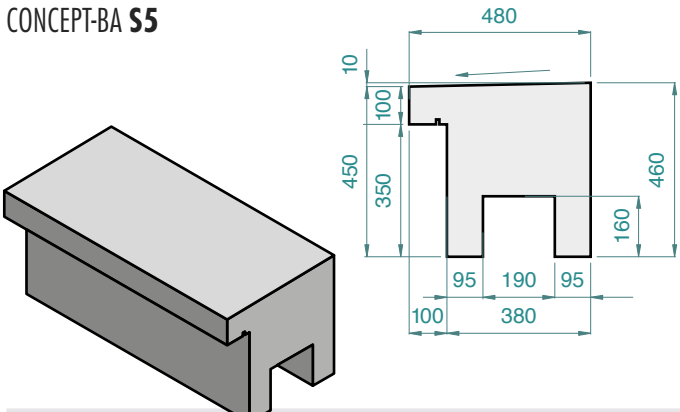
CONCEPT-BA S3



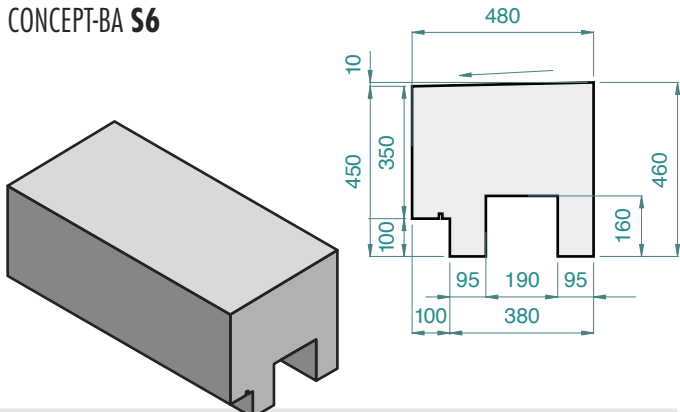
CONCEPT-BA S4



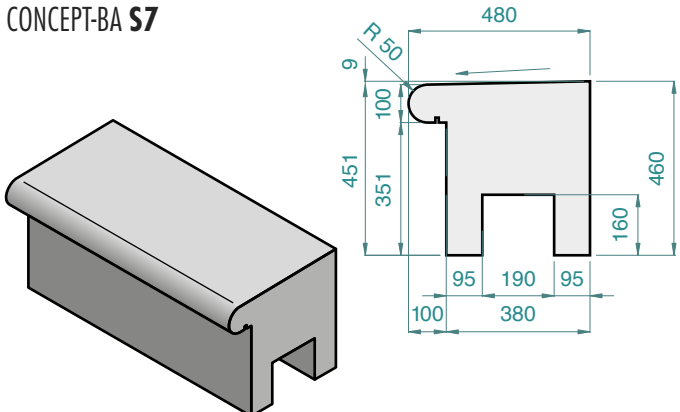
CONCEPT-BA S5



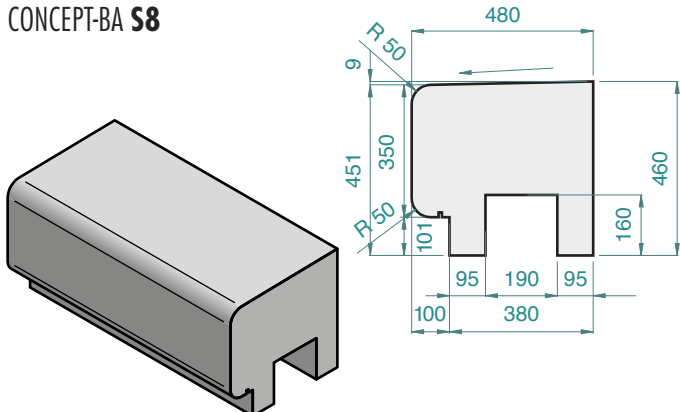
CONCEPT-BA S6



CONCEPT-BA S7



CONCEPT-BA S8

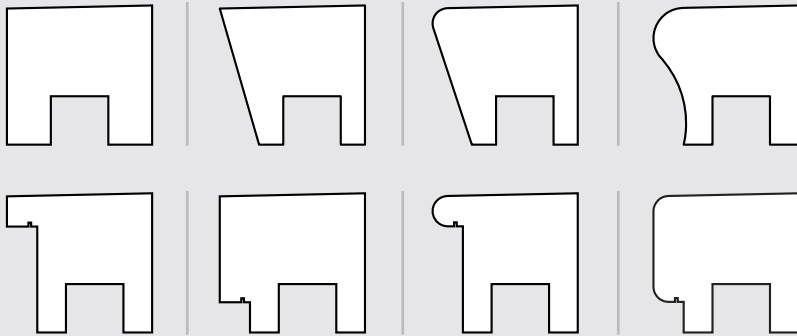


Bench seats with backrest

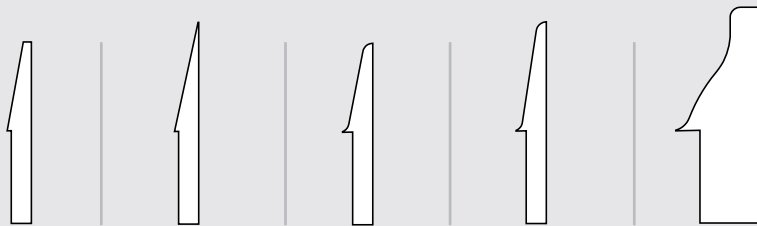
CONCEPT-BA S + CONCEPT-BA L

■ **The principle**

1. All CONCEPT-BA S – „bench seats without backrest“ – ...



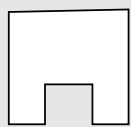
2. ... are **freely combinable** with all the CONCEPT-BA L – backrests – ...



and will be transformed into a „Bench seat with backrest“.

3. The newly defined end product is then manufactured in the factory and delivered as **a single component**, made entirely **of solid material**.

1. Bench seat without backrest (solid material)



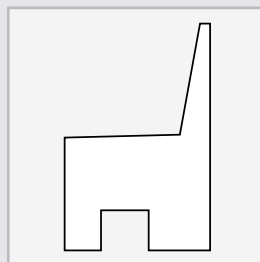
e.g. CONCEPT-BA S1

2. Backrest (solid material)

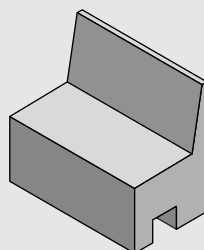
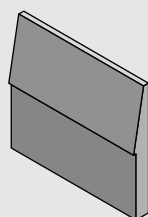
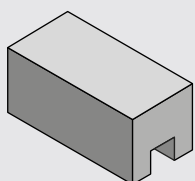


e.g. CONCEPT-BA L1

3. Bench seat with backrest (solid material)



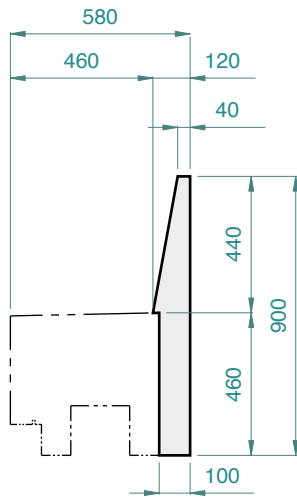
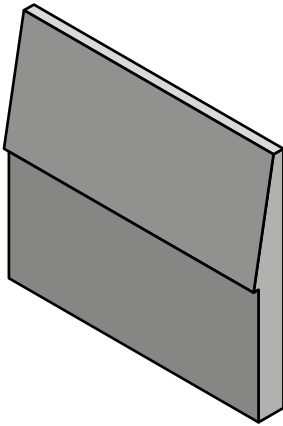
NEW: CONCEPT-BA S1L1



- 5 design variants – **straight** and **rounded**
- **Freely combinable** with all bench seats without backrest – CONCEPT-BA S –
→ **Page 4**
- Final product made of **solid material**
- Optional **extensions** – e.g. corner solution as mitre or rounding, seat end as rounded element, closed seat end or armrest
→ **Page 8**
- Factory-installed **seat heating** (optional) –
- 2 alternative systems
- Thermostatic controllers, different versions
→ **Page 15**

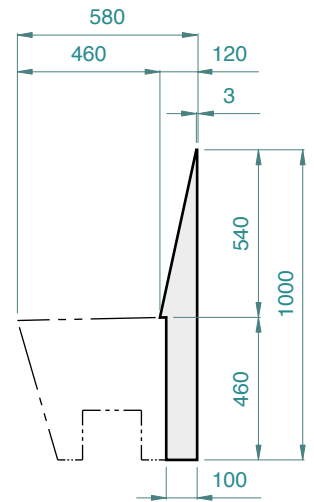
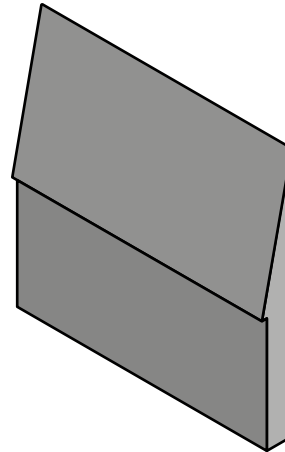
Design variants
CONCEPT-BA L

CONCEPT-BA L1



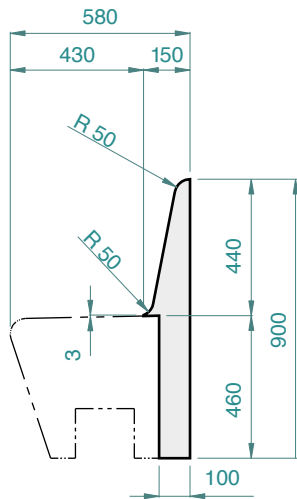
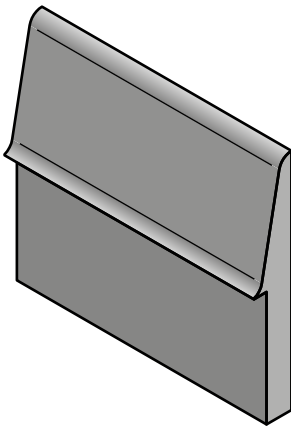
e.g. with **CONCEPT-BA S6***

CONCEPT-BA L2



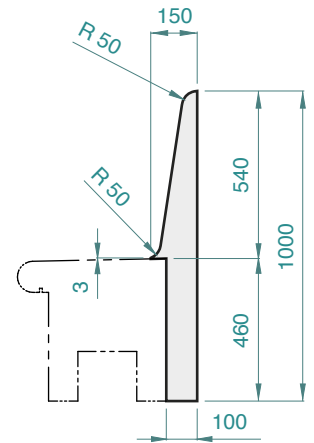
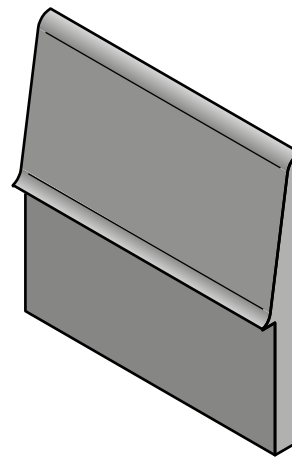
e.g. with **CONCEPT-BA S2***

CONCEPT-BA L3



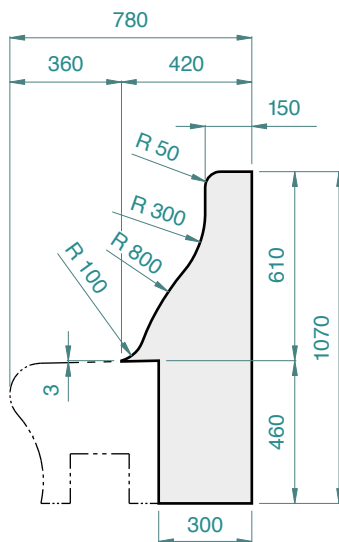
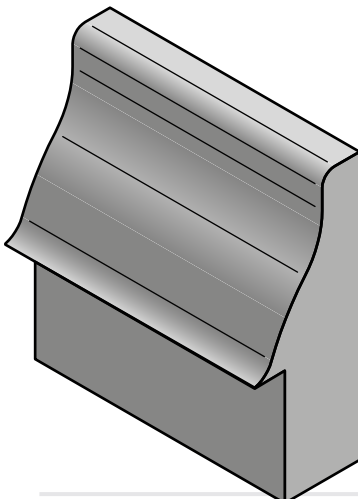
e.g. with **CONCEPT-BA S3***

CONCEPT-BA L4



e.g. with **CONCEPT-BA S7***

CONCEPT-BA L5



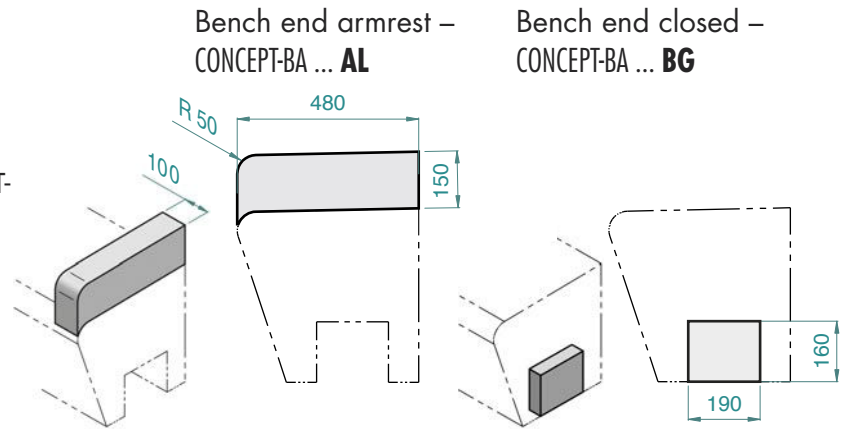
*** PLEASE NOTE:** The bench seat variant and backrest can be freely combined. The combinations shown are only examples.

e.g. with **CONCEPT-BA S4***

Extensions for bench seats

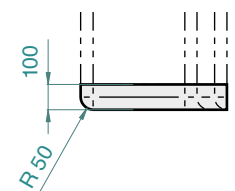
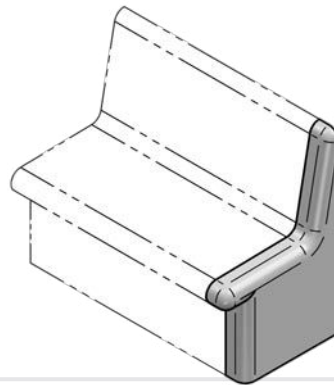
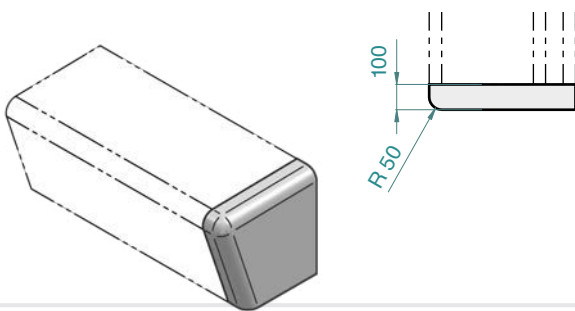
CONCEPT-BA ...

- Freely combinable with all bench seats without backrest – CONCEPT-BA S
→ Page 4
- Freely combinable with all bench seats with backrest – CONCEPT-BA S + CONCEPT-
→ Page 6
- Final product made of solid material



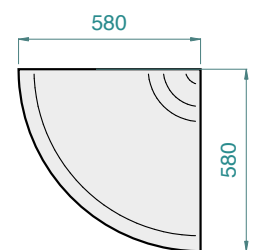
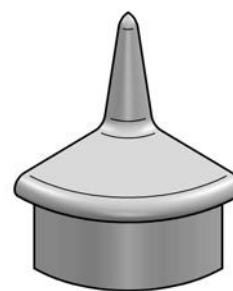
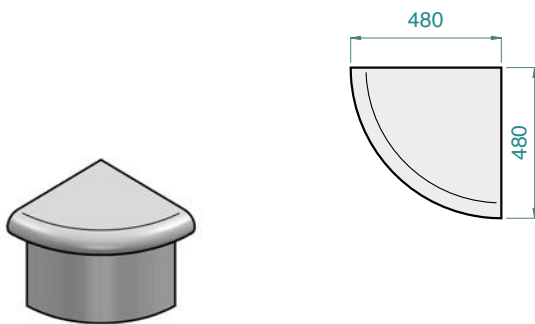
Bench end round, bench – CONCEPT-BA ... **BR-S**

Bench end round, bench + backrest – CONCEPT-BA ... **BR-SL**



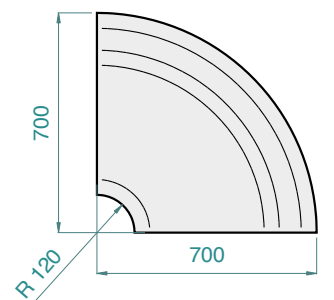
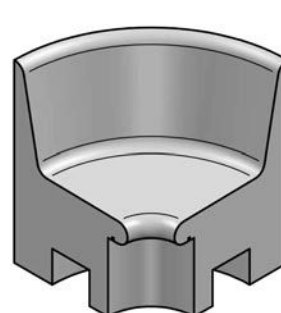
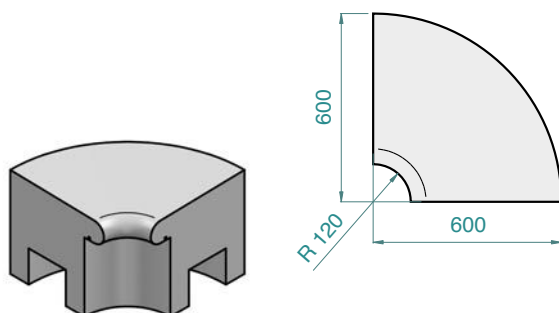
Bench end round, bench – CONCEPT-BA ... **AR-S**

Bench end round, bench + backrest – CONCEPT-BA ... **AR-SL**



Corner round, bench – CONCEPT-BA ... **ER-S**

Corner round, bench + backrest – CONCEPT-BA ... **ER-SL**

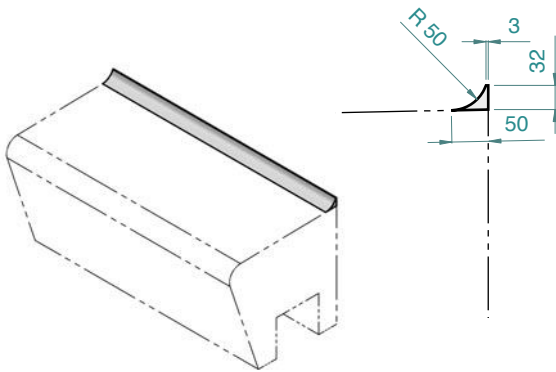


■ **PLEASE NOTE:** The bench seat variant and backrest can be freely combined. The combinations shown are only examples.

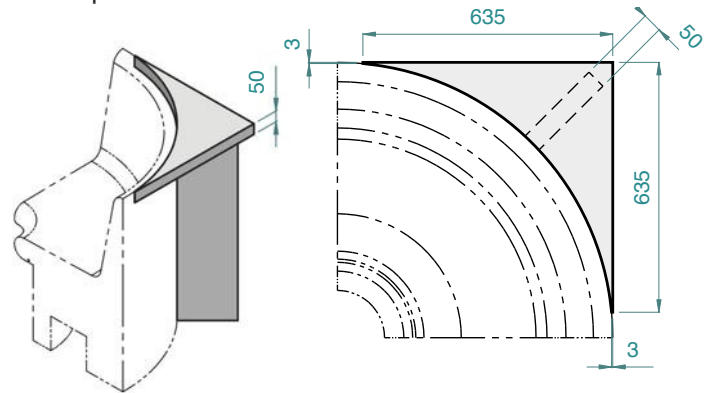
Extensions for bench seats

CONCEPT-BA ...

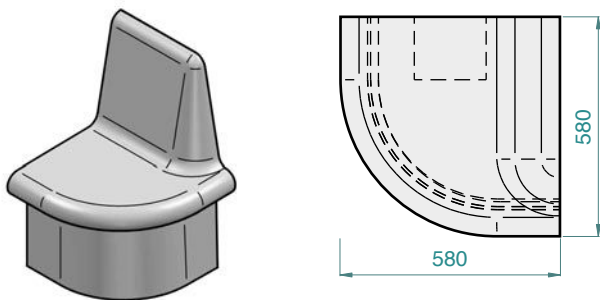
Concave trim – CONCEPT-BA ... **HK**



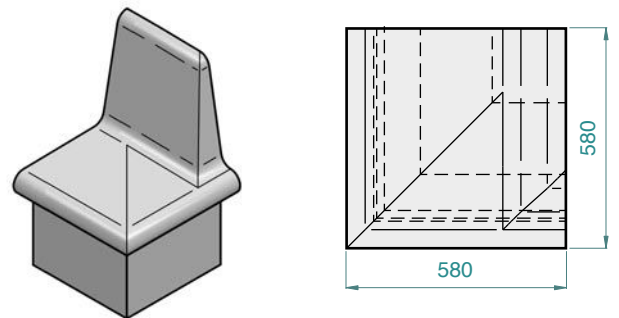
Corner platform – CONCEPT-BA ... **EP**



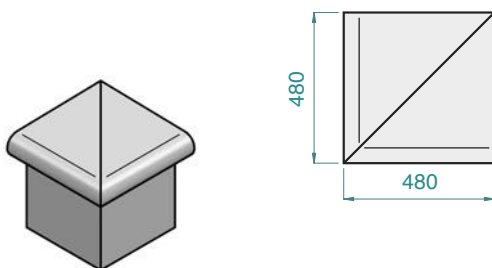
Extended round, bench + backrest – CONCEPT-BA ... **VR**



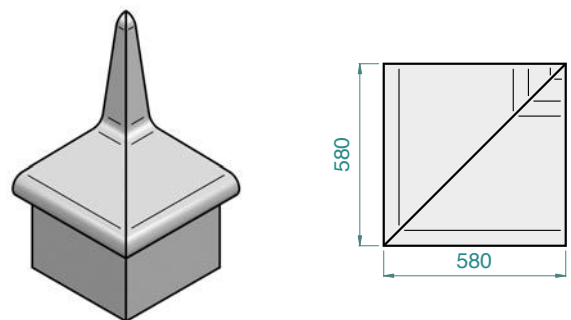
Extended straight, bench + backrest – CONCEPT-BA ... **VG**



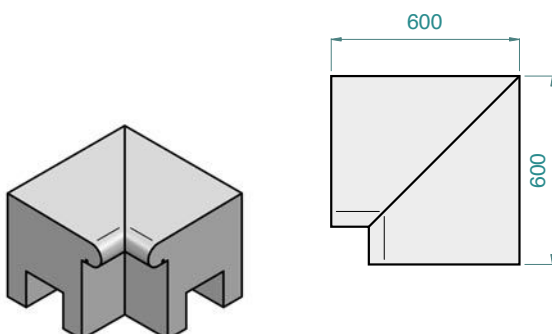
Bench end straight, bench – CONCEPT-BA ... **AG-S**



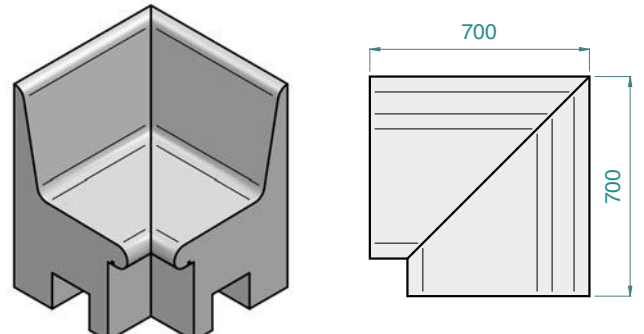
Bench end straight, bench + backrest – CONCEPT-BA ... **AG-SL**



Corner straight, bench – CONCEPT-BA ... **EG-S**



Corner straight, bench + backrest – CONCEPT-BA ... **EG-SL**



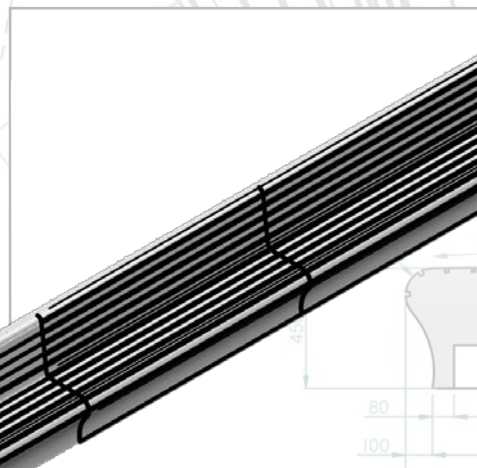
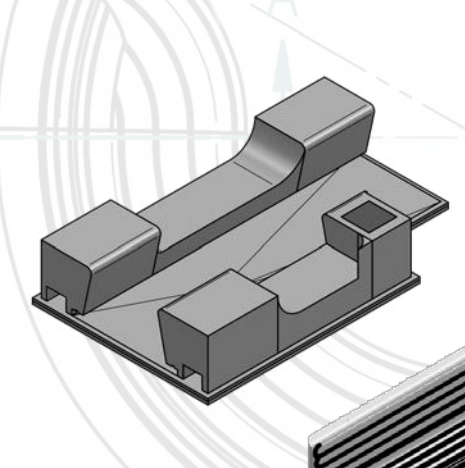
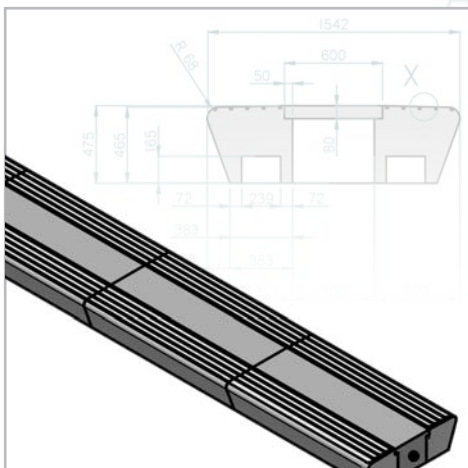
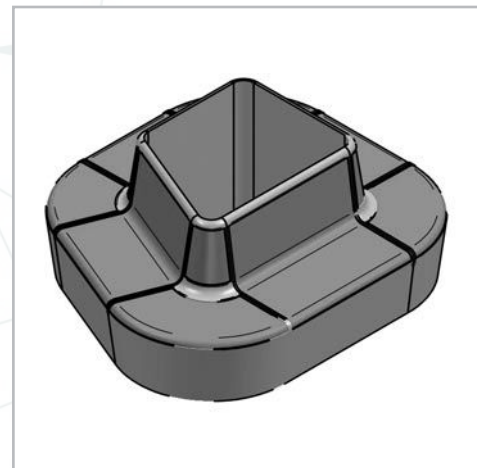
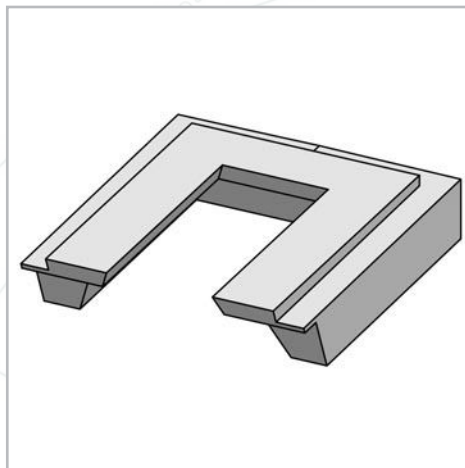
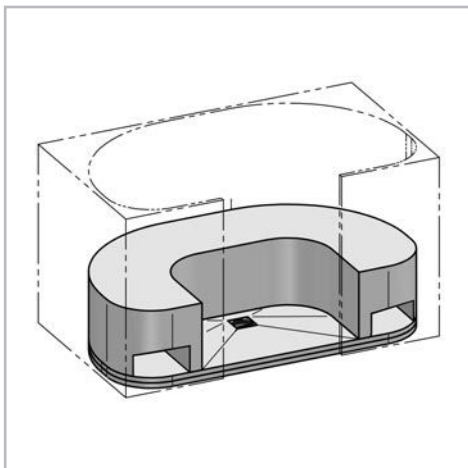
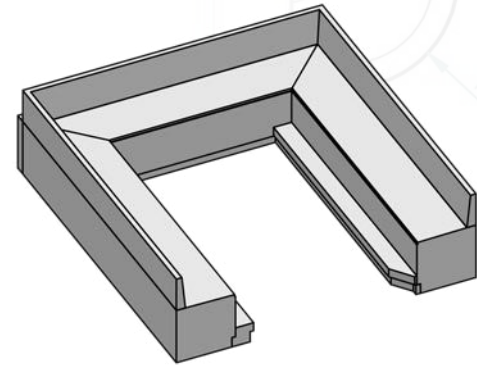
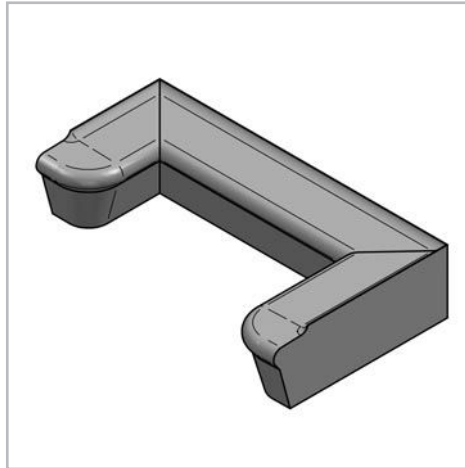
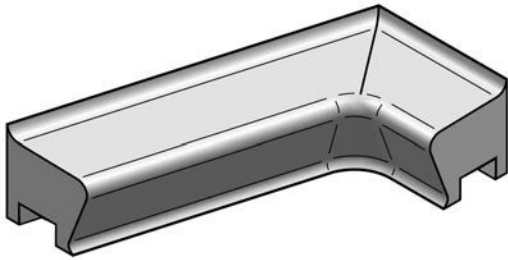
■ **PLEASE NOTE:** The bench seat variant and backrest can be freely combined. The combinations shown are only examples.

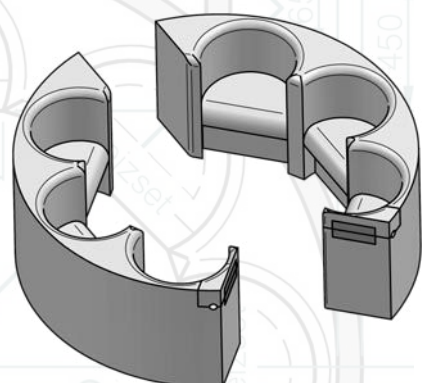
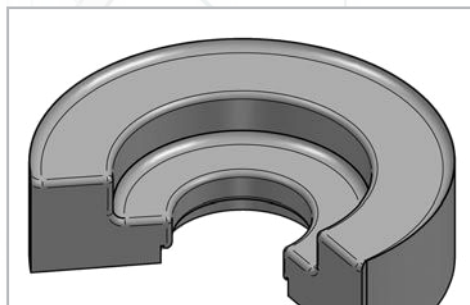
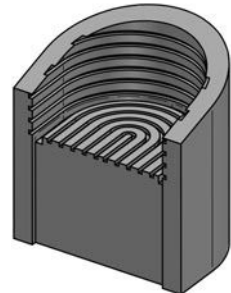
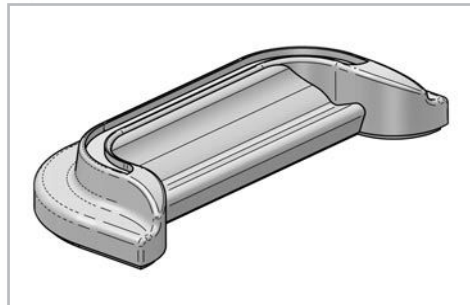
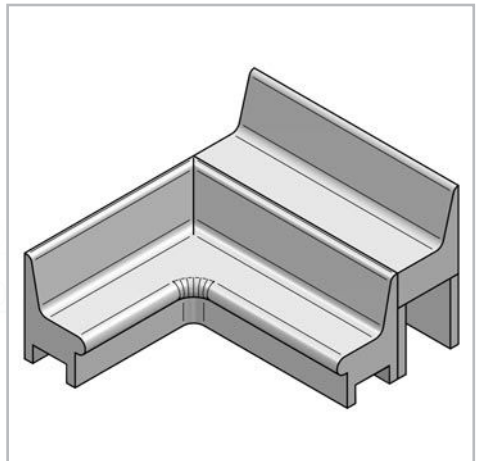
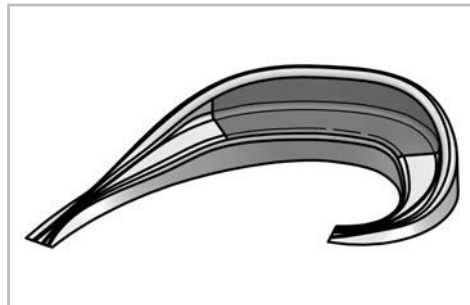
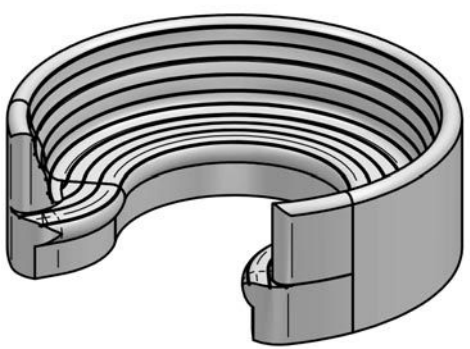
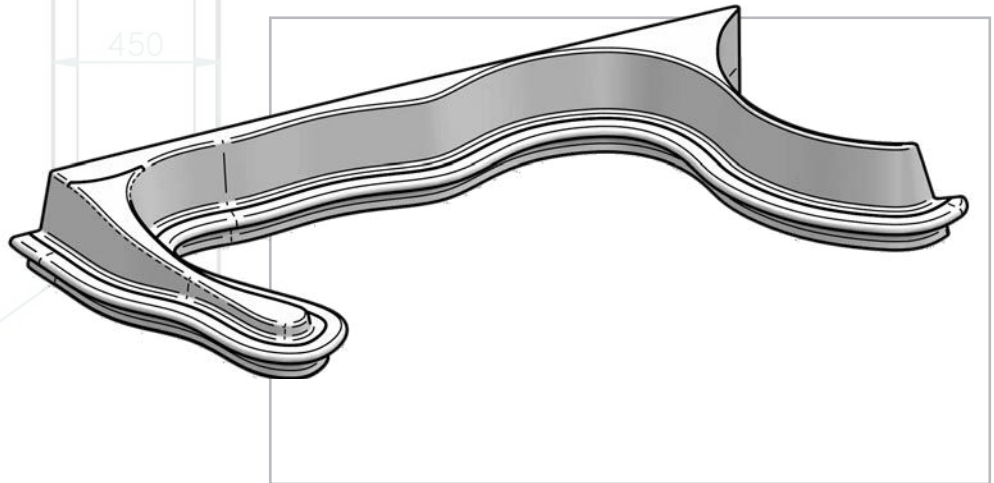
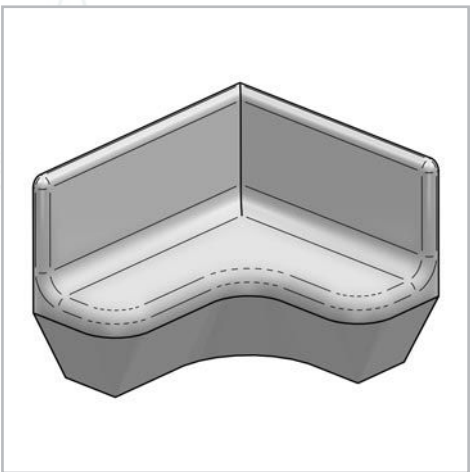
LUX ELEMENTS manufactures individual customised products for CONCEPT-BA. These include dimensions, thicknesses, shapes etc. that deviate from the standard programme.

Special shapes

CONCEPT-BA ... PLUS

- Alternatively we can also realise your individual planning as a customised product.





Technical solutions



Foto: Simon-Callaghan

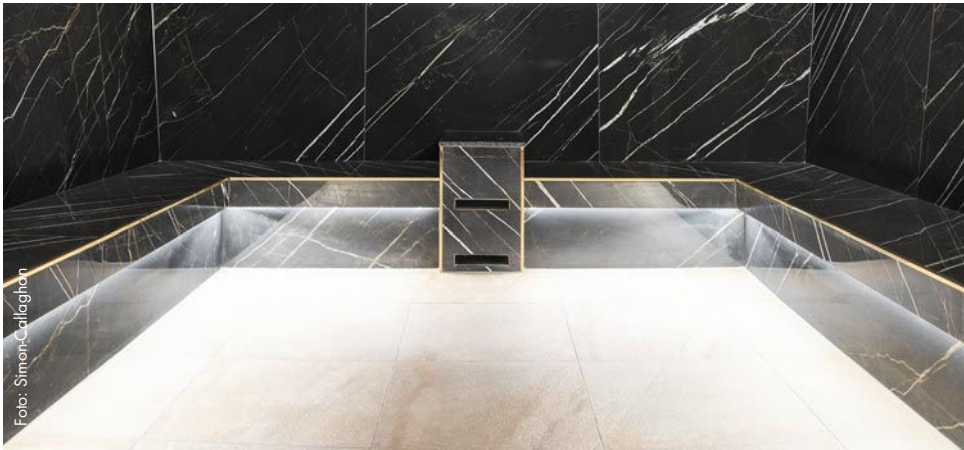


Foto: Simon-Callaghan



Foto: Simon-Callaghan



Design and technology must be perfectly matched to each other in spas and wellness facilities.

Hard foam support elements from LUX ELEMENTS are ideally suited to the integration of technical components. The necessary millings and sections etc. can be prepared at the factory or produced on site according to exact measurements.

Technical accessories for CONCEPT-BA:

■ **Light**

Flexible light rope

■ **Heating**

- Electrical heating mat, factory-fitted
- Water heating, factory-fitted
or milling for the on-site installation of water heating



For further information, please see
www.luxelements.com

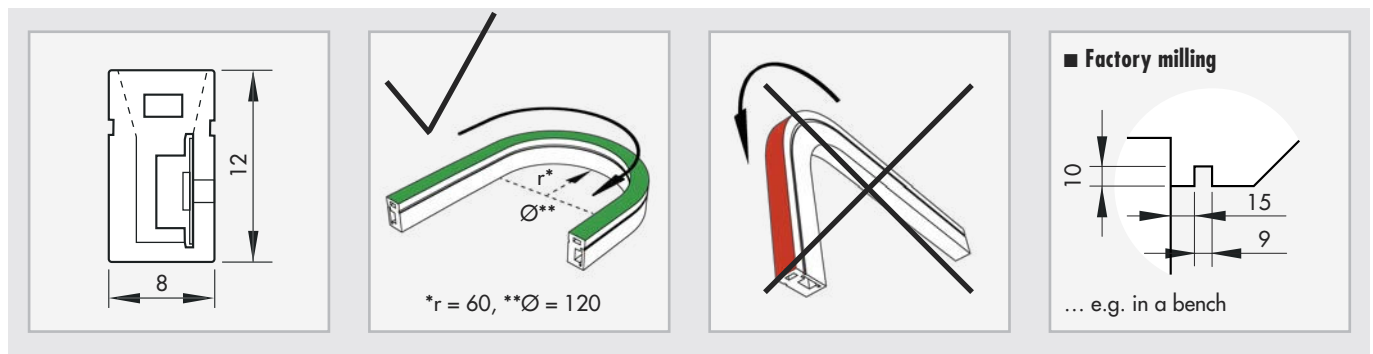
LUX ELEMENTS

LED light rope

ADD-LI L



- Flexible, bendable in horizontal direction
- Light colour „warm white“ (WW, 3000 K) or „colored“ (RGB)
- Protection class IP67
- Length to measure, factory-made
- Suitable controller – ADD-LI S
- Suitable remote controls – ADD-LI F
- Suitable power supply units – ADD-LI L-N



Controller

ADD-LI S



LEADD3026

Remote controls

ADD-LI L-F



LEADD3027



LEADD3028

Controller – for ADD-LI L

- Suitable for WW and RGB
- Protection class IP20

Remote controls – in addition to ADD-LI S

- To adjust the brightness (WW)
- To select color and program (RGB)
- Protection class IP20
- Including wall mount

Power supply units

ADD-LI L-N



LEADD3005



LEADD3024



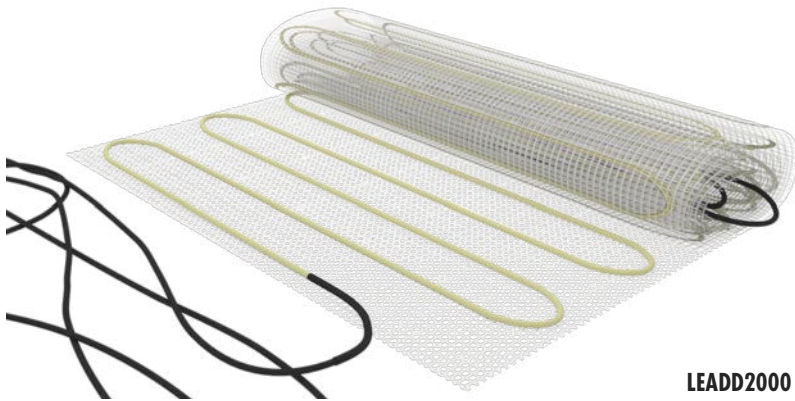
LEADD3025

- Suitable for ADD-LI L
- 3 models – 30W, 100W and 250W

■ **PLEASE NOTE:** additional accessories such as extended supply cables (e.g. 5 m to 10 m) → on request

Electrical heating mat

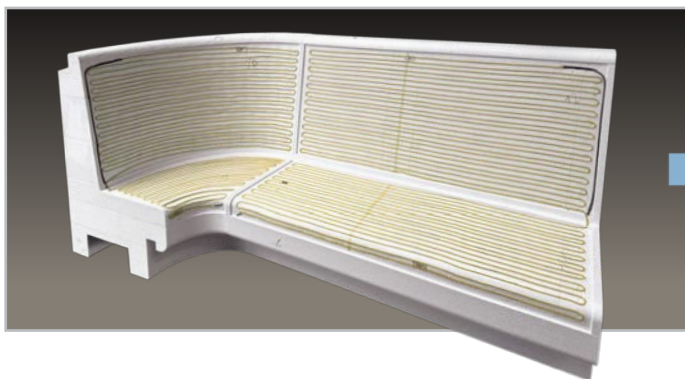
ADD-EH



LEADD2000

Optional for all CONCEPT-BA

- 280 W/m², 230 V
- Factory-fitted
- Individually made to measure
- Incl. temperature sensor
- Separate thermostatic controllers
– **ADD-EH Z** – different versions,
with and without timer



Thermostatic controllers

ADD-EH Z

■ **ADD-EH ZA**



LEADD2000

■ **ADD-EH ZB**



LEADD2002

■ **ADD-EH ZD**



LEADD2003

■ **ADD-EH ZC**



LEADD2004

Suitable for electrical heating set **ADD-EH**

- **ADD-EH ZA** – without timer
12 A, 230 V AC
- **ADD-EH ZB** – with timer
12 A, 230 V AC
- **ADD-EH ZD** – with timer
16 A, 230 V AC, LCD display
- **ADD-EH ZC** – for mounting in
distribution cabinet set (6 A, 230 V AC,
can be snapped onto 35 mm DIN rail),
with illuminated digital display (space
requirement 2HP)

Water heating

ADD-WH



LEADD2100

Milling for water heating

ADD-WH F



LEADD2101

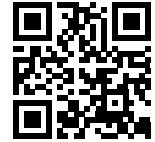
Optional for all CONCEPT-BA

Water heating – ADD-WH

- Factory-fitted
- Made to measure
- Built-in single-circuit heating system
cable approx. 9.9 x 1.1 mm
- With transfer points
and leak-tightness check

Milling for water heating – ADD-WH F

- For the on-site installation
of water heating
- Individually made to measure



LUX ELEMENTS®-CONCEPT-BA

www.luxelements.com

* [DE] – Höhe (450 mm) und Breite (480 mm) von S1 – S8 sind gleich.

* [EN] – Height (450 mm) and width (480 mm) of S1 – S8 are the same.

* [FR] – Hauteur (450 mm) et largeur (480 mm) de S1 – S8 sont les mêmes.

* [NL] – Hoogte (450 mm) en breedte (480 mm) van S1 – S8 zijn gelijk.

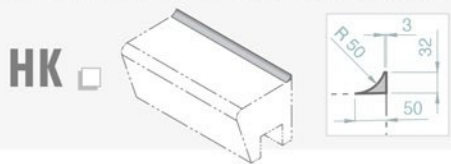


Zutreffendes ankreuzen - Check the relevant box - Veuillez cocher la case correspondante - Vink het relevante vakje aan

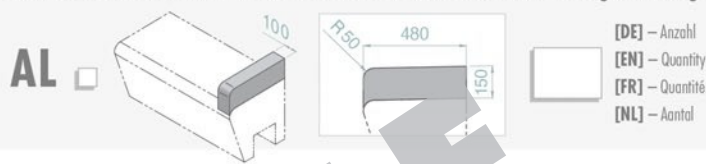
■ Sitzbänke ohne Rückenlehne | Bench seats without backrest | Banquettes sans dossier | Zitbanken zonder rugleuning



■ mit Hohlkehle | with concave trim | avec cornière | met hollatten

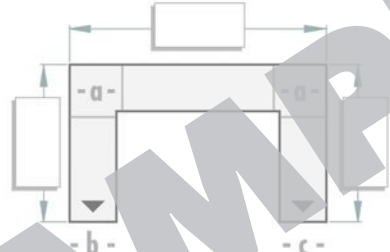


■ mit Abschluss Armlehne | with bench end arm rest | avec accoudoir | met afsluiting armleuning



[DE] – Anzahl
[EN] – Quantity
[FR] – Quantité
[NL] – Aantal

- [DE] ■ für Bankform „U“ hier die Abmessungen (in mm) eintragen
- [EN] ■ for bench form „U“ enter the dimensions (in mm) here
- [FR] ■ pour banquette de forme « U » entrez les dimensions (en mm) ici
- [NL] ■ voor bankvorm „U“ voer hier de afmetingen (in mm) in



[DE] – HINWEIS: Weitere Optionen, wie z.B. Licht, Heizung oder Freiformen, auf Anfrage.

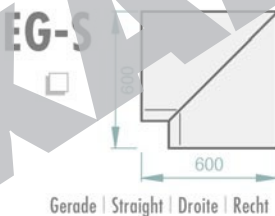
[EN] – NOTE: Further options, like e.g. lighting, heating or free shapes, on request.

[FR] – REMARQUE : Autres options, par ex. éclairage, chauffage ou formes libres, sur demande.

[NL] – LET OP: Verdere opties, b.v. verlichting, verwarming of vrije vormen, op aanvraag.

a

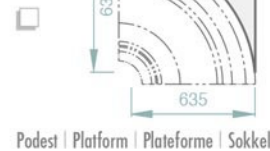
- [DE] ■ für Innenecken
- [EN] ■ for inner corners
- [FR] ■ pour angles intérieurs
- [NL] ■ voor binnenhoeken



ER-S

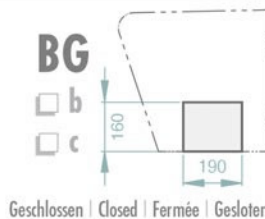


EP

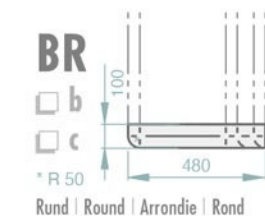


b/c

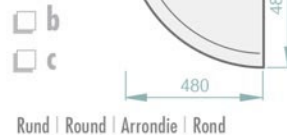
- [DE] ■ für Bankabschlüsse oder Außenecken
- [EN] ■ for bench ends or outer corners
- [FR] ■ pour fin de banquettes ou angles extérieurs
- [NL] ■ voor bankafsluitingen of buitenhoeken



AG-S



AR-S



■ KUNDE | CUSTOMER | CLIENT | KLANT

■ PROJEKT | PROJECT | PROJET | PROJECT

■ FREIGABE zur Fertigung | APPROVAL for production
ACCORD de fabrication | VRIJGAVE voor productie

Datum | Date Unterschrift | Signature | Handtekening