



**LED spot – RGBW**


Reviewed on: 10/2025  
 Replace DS from: 01/2025

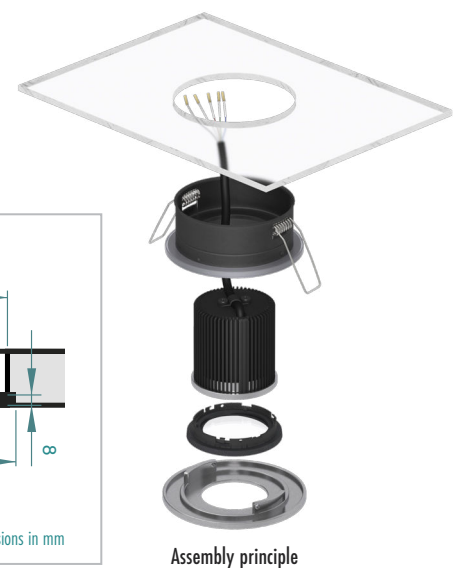
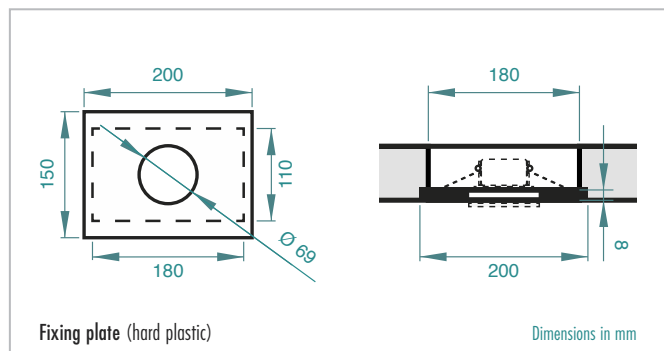
**Technical data**

**Recessed spotlight**

	<b>Housing</b>	Colour	black
		Material	Aluminium
		Weight	110 g
		Front/cover	removable
		Protection class	IP 65
		Installation depth	33 mm
		Hole cutout	69 mm
		Suitable lamp diameter	50 mm

	<b>LED lamp</b>	Light colour	RGB+W (3000 K)
		Colour temperature	3000 K (warm white)
		Lumen	490 lm
		Beam angle	60°
		Dimmable	via PWM (pulse width modulated DC voltage supply) via upstream RGB+W controller
		Protection class	IP52
		Rated voltage	24 V DC
		Active power	8 W
		Colour	silver/black
		Material	Aluminium
		Weight	116 g
		Height	55 mm
		Diameter	50 mm

	<b>Cover</b>	Colours	stainless steel, chrome, gold brushed, black matte, white matte
		Material	stainless steel, aluminium
		Weight	30 g
		Outer diameter	83 mm
		Inner diameter	40 mm



# LED light rope – WW and RGB

Reviewed on: 10/2025

Replace DS from: 01/2025

**Technical data**

**Light rope WW  
(warm white)**



Light colour	warm white
Colour temperature	3000 K
Active power	12 W/m
Rated voltage	24 V DC
Average lifetime	38000 h
Protection class	IP 67
Ambient temperature	-20 ~ +40 °C
Dimensions (WxHxL)	8 x 12 x max. 5000 mm
Weight (without cable)	approx. 0,122 g/m
Material	Silicone
Colour	white
Pitch dimension	50 mm
No. of LEDs	140 pieces/m
Smallest bending	60 mm
Dimmable	ja

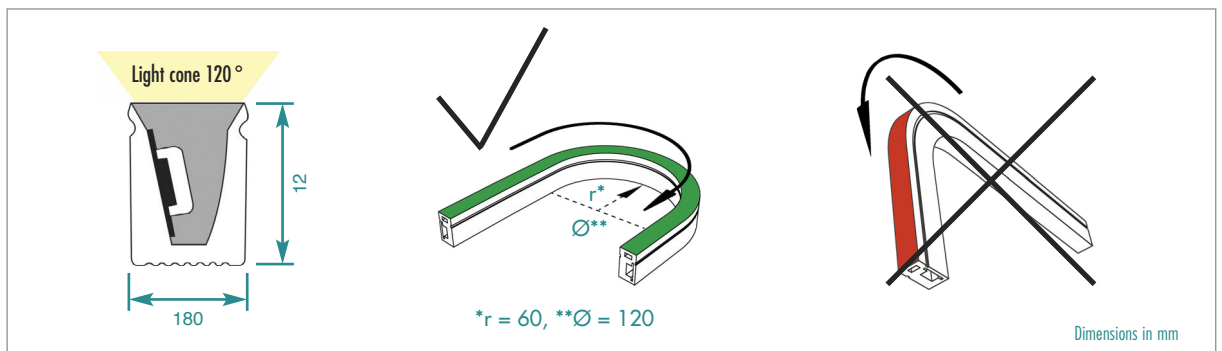
**Light rope RGB  
(colored)**



Light colour	RGB
Active power	14,4 W/m
Rated voltage	24 V
Average lifetime	38000 h
Protection class	IP 67
Ambient temperature	-20 ~ +40 °C
Dimensions (WxHxL)	8 x 12 x max. 8000 mm
Weight (without cable)	ca. 0,122 g/m
Material	Silicone
Colour	white
Pitch dimension	50 mm
No. of LEDs	140 pieces/m
Smallest bending	60 mm

**Supply cable**

Length (standard)	ca. 5000 mm
Cross section	2 x 0,5 mm <sup>2</sup>
Material	Copper / plastic
Weight	approx. 60 g/m



# LED power supplies

Reviewed on: 10/2025  
 Replace DS from: 01/2025

**Technical data**

**Power supply 30 W**



Output / Rated power	30 W
/ Rated voltage	24 V DC
Input / Rated power	220 – 240 V AC
/ Rated current	50 / 60 Hz
Length	91 mm
Width	41 mm
Height	19 mm
Weight	147 g
Material	Plastic
Protection class	IP 20
Dimmable	not dimmable
for light rope ADD-LI L-WW up to length	max. 2500 mm
for light rope ADD-LI L-RGB up to length	max. 2000 mm

**Power supply 100 W**



Output / Rated power	100 W
/ Rated voltage	24 V DC
Input / Rated power	220 – 240 V AC
/ Rated current	50 / 60 Hz
Length	164 mm
Width	61 mm
Height	32 mm
Weight	334 g
Material	Plastic
Protection class	IP 20
Dimmable	not dimmable
for light rope ADD-LI L-WW up to length	max. 8000 mm
for light rope ADD-LI L-RGB up to length	max. 6900 mm

**Power supply 250 W**



Output / Rated power	250 W
/ Rated voltage	24 V DC
Input / Rated power	220 – 240 V AC
/ Rated current	50 / 60 Hz
Length	400 mm
Width	40 mm
Height	22 mm
Weight	506 g
Material	Plastic
Protection class	IP 20
Dimmable	not dimmable
for light rope ADD-LI L-WW up to length	max. 20800 mm
for light rope ADD-LI L-RGB up to length	max. 17300 mm

# LED controller and radio remote control

Reviewed on: 10/2025

Replace DS from: 01/2025

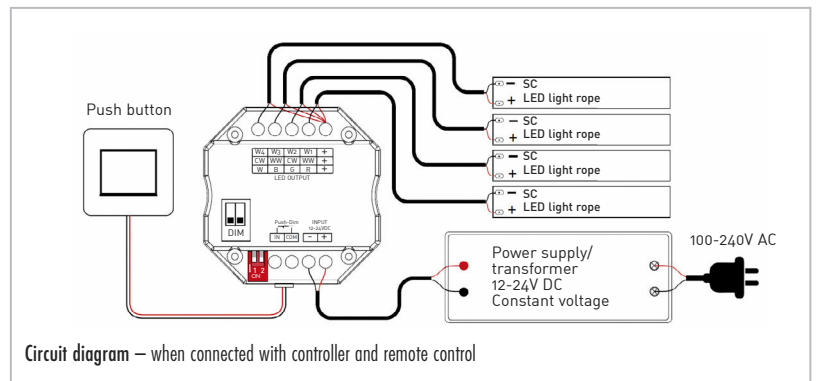
**Technical data**

Controller & radio remote control	WW	RGB
Input voltage	12 – 24 V	12 – 24 V
Input current	12,5 A	12,5 A
Output voltage	4 x (12 – 24) V DC	4 x (12 – 24) V DC
Material controller	Plastic	Plastic
Material radio remote control	Plastic	Plastic
Protection class	IP 20	IP 20
Frequency	2,4 GHz	2,4 GHz
Range radio remote control	approx. 30 m	approx. 30 m
Dimensions controller	52 x 32 x 26 mm (LxWxH)	52 x 32 x 26 mm (LxWxH)
Dimensions radio remote control	139 x 36 x 11 mm (LxWxH)	122 x 53 x 17,5 mm (LxWxH)
Dimmable	via remote control or dimmer	via remote control or dimmer

Controller (optional)



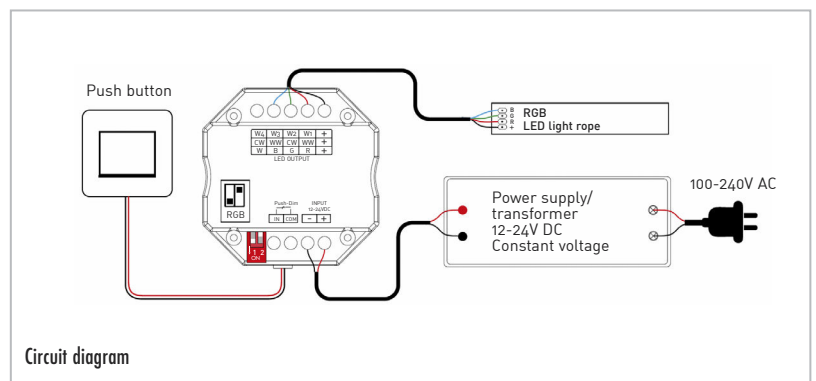
Radio remote control WW (optional)



Controller



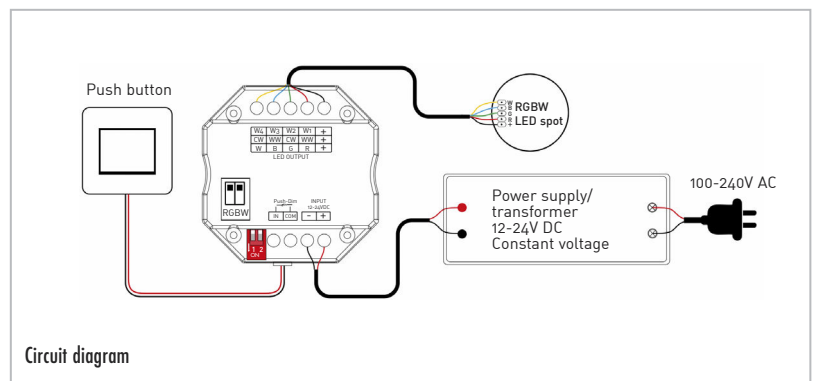
Radio remote control RGB



Controller

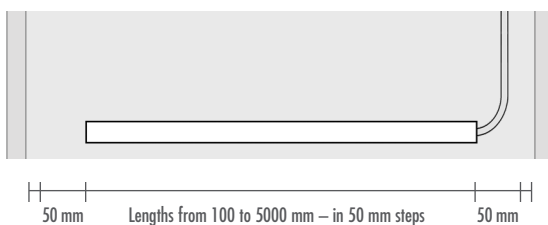


Radio remote control RGB



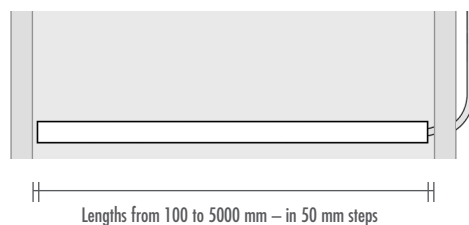
**Installation situation**

**from wall to wall – cable inside the walls\***



Example:  
 Length between two walls = 1430 mm  
 $1430 - 100 = 1330 \text{ mm} = \text{Length light rope } 1300 \text{ mm} = 30 \text{ mm rest}$   
 left and right 65 mm unlit – Light shines symmetrically

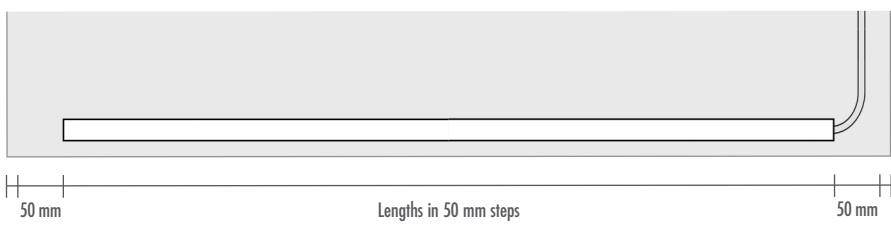
**from wall to wall – cable outside the walls\***



Example:  
 Length between two walls = 1430 mm  
 $1430 = \text{Length light rope } 1400 \text{ mm} = 30 \text{ mm rest}$   
 left and right 15 mm unlit – Light shines symmetrically

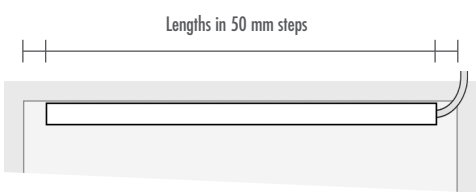
\* Both installation situations are also possible for the products **TOP-TRU...** / **TOP-WP...** / **CONCEPT-BA...** – depending on the structural situation

**LAVADO-FLOAT**



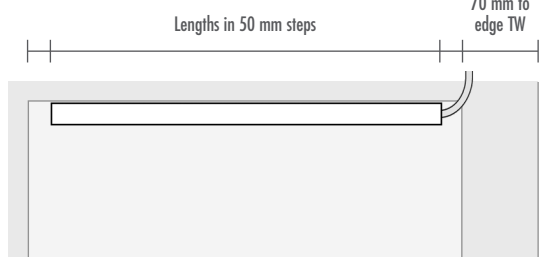
Example:  
 LAVADO-FLOAT L & G (standard format) = 1170 mm width washstand  
 $1170 - 100 \text{ mm} = \text{Length light rope } 1070 \text{ mm} = 20 \text{ mm rest}$   
 left and right 60 mm unlit – Light shines symmetrically

**RELAX-NI – cable outside the niche**



Example:  
 - RELAX-NI-M / -L / -XL (vertical installation) =  
 internal clearance dimension 305 mm = Length light rope 300 mm  
 - RELAX-NI-L (horizontal installation) =  
 internal clearance dimension 457 mm = Length light rope 450 mm  
 - RELAX-NI-XL (horizontal installation) =  
 internal clearance dimension 68 mm = Length light rope 950 mm

**RELAX-TW**



Example:  
 Niche milling 1070 mm wide =  
 Length light rope 1050 mm = 20 mm rest  
 left and right 10 mm unlit – Light shines symmetrically

The relevant recommendations and guidelines, as well as DIN regulations, European standards and safety datasheets are to be observed. The recognised architectural and technical rules apply. We accept liability for the perfect quality of our products. Our processing recommendations are based upon trials and practical experience; they can, however, be no more than general instructions without assurance as to their quality, since we have no influence on the site conditions, on the execution of the work and the processing. With the issuing of this product datasheet previous versions cease to be valid.